



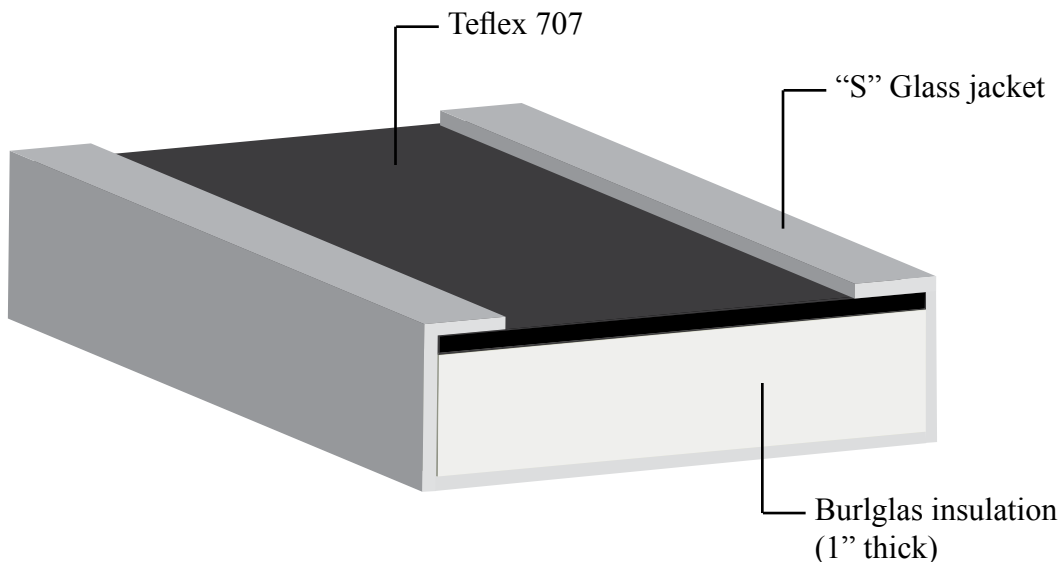
Flextech Engineering Inc.
www.flextechseals.com

Product Description

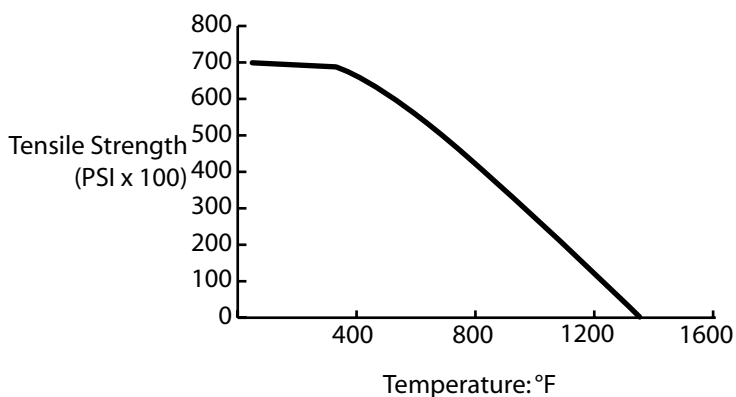
Flextech 850-T is a composite expansion joint, rated up to 850 °F. It utilizes “S” glass fabric, which retains high tensile strength and flexibility when exposed to temperatures as high as 1000 °F, and at 850 °F the tensile strength remains as high as 400 lbs/in.



850-T Composite expansion joint



S Glass filament tensile strength



Flextech 850-T is a composite style expansion joint that utilizes “S” glass fabric, burlglas insulation, and a vermacite layer that are sewn to the teflex material.

FLEXTECH ENGINEERING, INC.
Tel: (626) 914-2494 Fax: (626) 914-1404
www.flextechseals.com